

Golden Mean BACKYARD BEEHIVE

Backyardhive.com

Designed by [Carlos Steybe](#) of [Four Elements Design](#)

(Directions, illustrations & sizes modified for clarity by Kathy Lemmon.)

Dimensions of several pieces were adapted from the Standard hive plans to match the finished dimensions of the Golden Mean hive. There may be errors, so always do a reality check!

Material List:

<u>Pine/Fir:</u>	Front*		16-1/8 x 9 x 7/8
	Back*		16-1/8 x 9-1/2 x 7/8
	Bottom		30 x 14-1/2 x 3/4
	Window Cover		24-1/2 x 4-1/2 x 3/4
	Sides (2)		28 x 10 x 7/8
	Legs (2)		19-1/2 x 1-1/2 x 3/4
	Top Spacers (2)		17 x 1 x 3/8
	Top Sides (2)		33 x 1-1/2 x 3/4
	Top Front/Back (2)		20 x 1-1/2 x 3/4
<u>Plywood:</u>	False Back*		16-1/4 x 9-1/2 x 3/16
<u>Cedar Plywood:</u>	Top		28-1/2 x 18-1/2 x 5/8
<u>Hardwood:</u>	Topbars (18)	<u>old style</u>	17-3/4 x 1-3/8 x 3/4
		<u>new style</u>	17-3/4 x 1-3/8 x 1-1/4
	False Back Topbar		17-3/4 x 3/4 x 3/4
<u>Glass:</u>	Window		24 x 4 x 1/8
<u>Misc:</u>	Window Stops (2)		
	Window Cover Lock		Window Screen Hold In
	Window Cover Holders (2)		Table top fastener

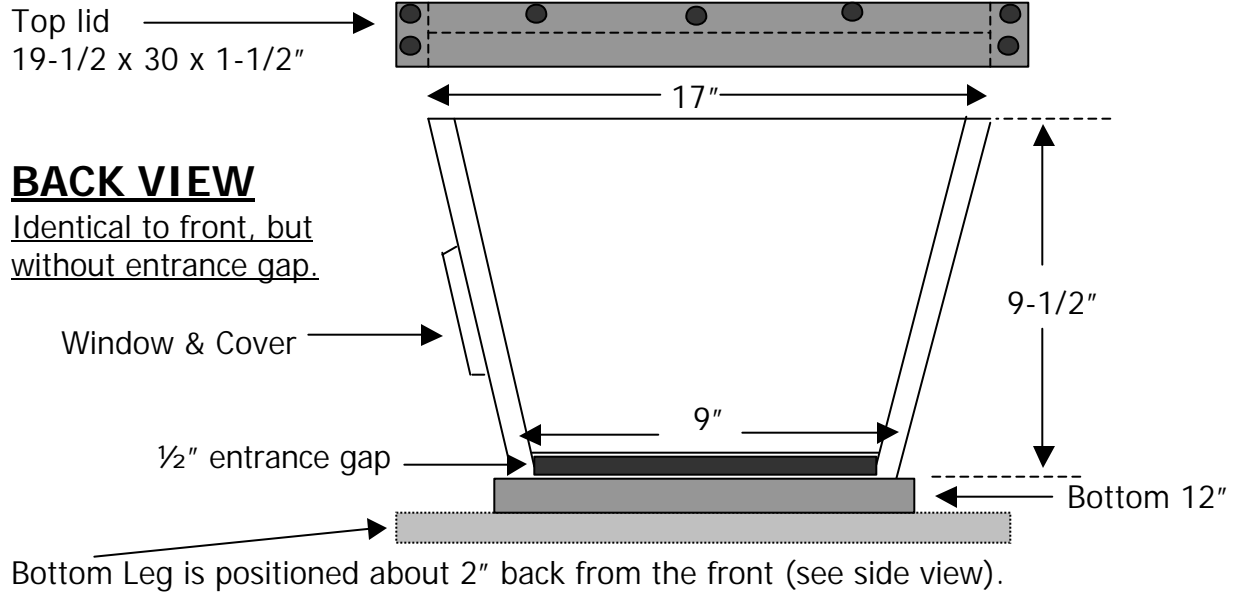
* trapezoid shaped piece

Hardwood suggestions: Alder, Poplar, & soft Maple

Finished Dimensions Approximately 28-1/2 x 18 x 10"

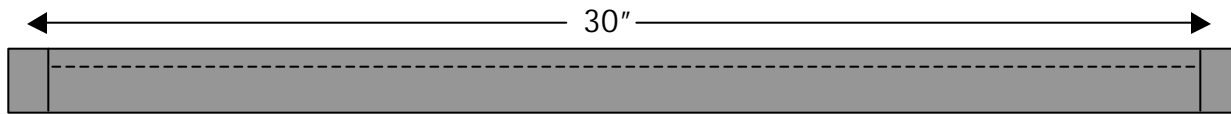
FRONT END VIEW

Drawings Are Not To Scale!!!

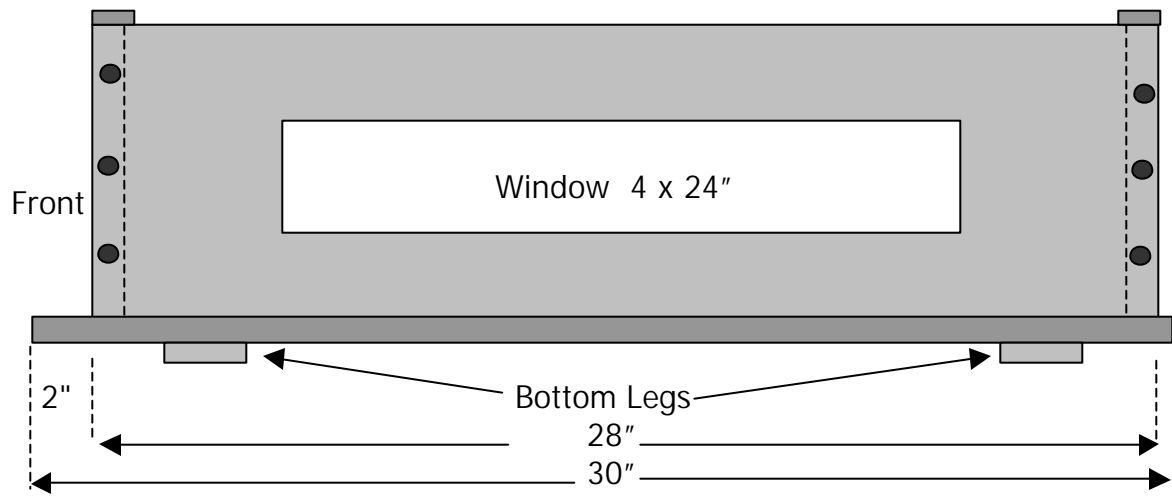


SIDE VIEW (standard size)

Drawings Are Not To Scale!!!

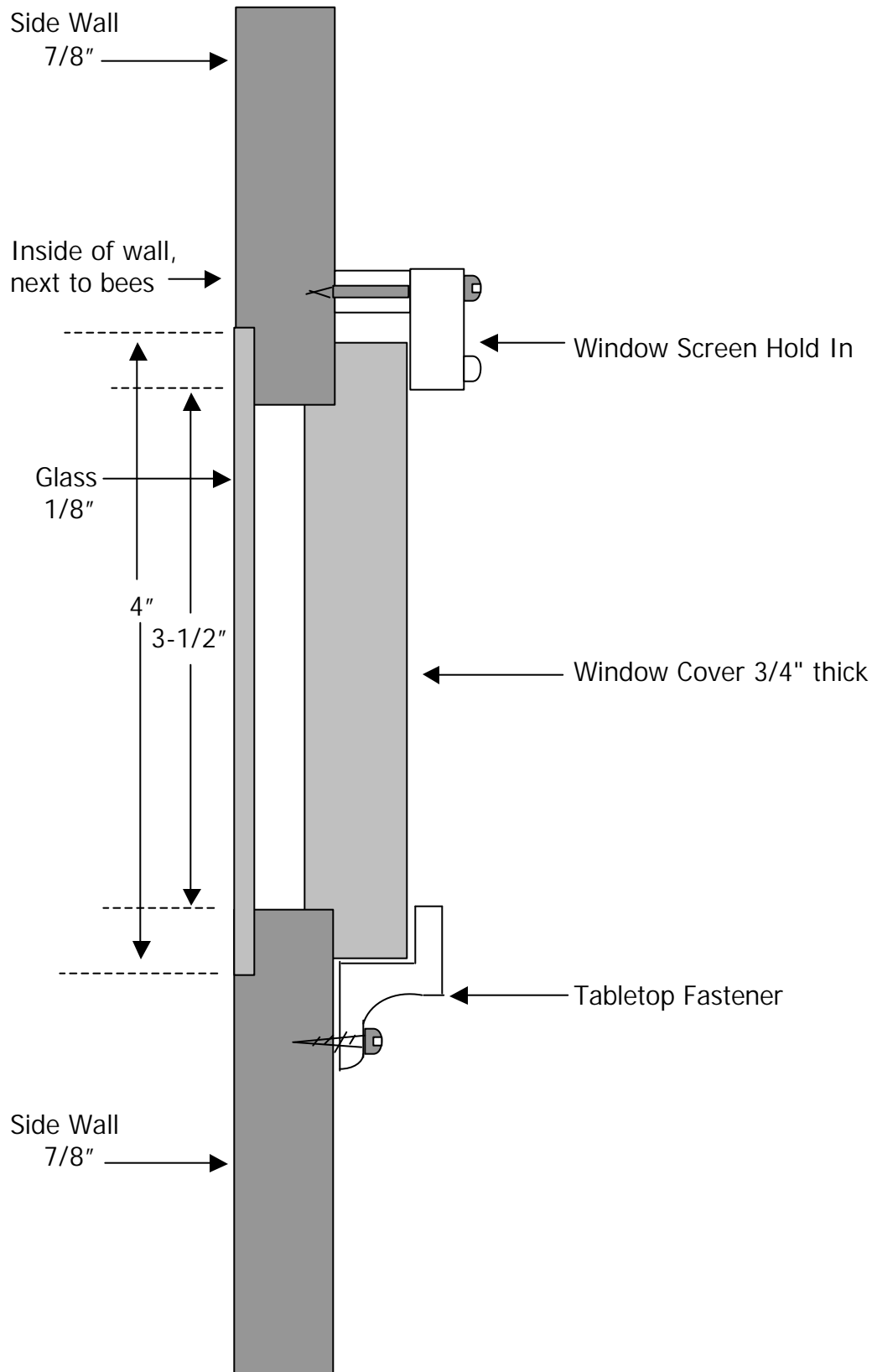


1 x 3/8" (Spacer pieces provide 1/4" interior overlap to allow bee space at ends of hive.)



WINDOW DETAIL (cut-away view)

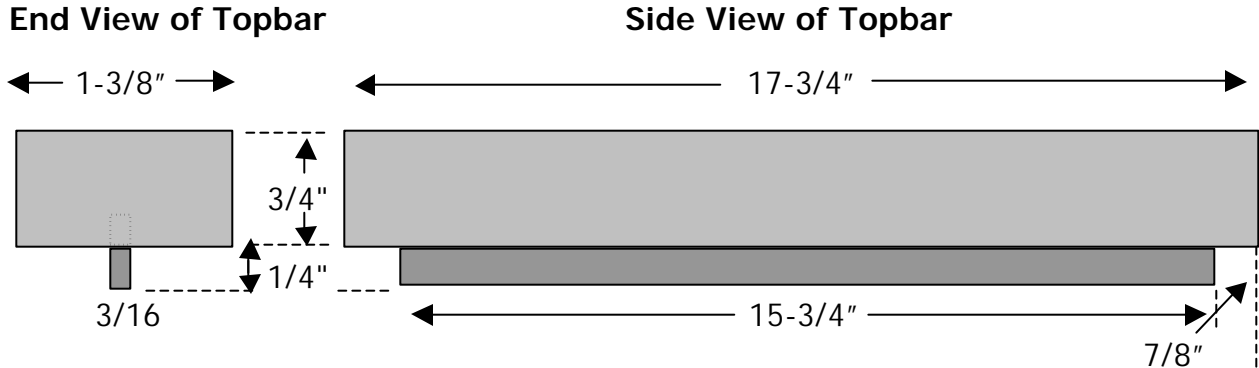
Drawings Are Not To Scale!!!



TOP BAR (two-piece old style)

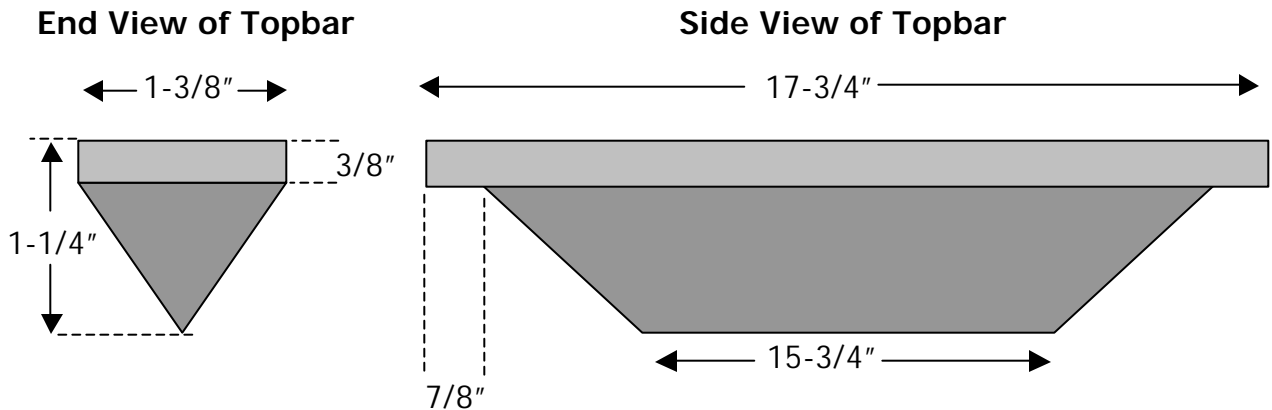
Drawings Are Not To Scale!!!

Use table saw to cut slot in wood, insert narrow strip of wood, nail or glue in place.



TOP BAR (one-piece new style)

Drawings Are Not To Scale!!!



ADDITIONAL ITEMS

- Window Cover, sized to fit (use router to create lip on edge).
- Make winter Entrance Reducer: fill entrance gap, leaving about a 2" opening.
- Bricks or wooden stand to set hive on. Keep hive top at or below waist.
- Wood, metal or fiberglass winter top cover, insulated with foam-board, sized to fit over the normal hive top. Weigh down with bricks.
- Consider adding a bottom board with a screen, and below it a removable tray for mite control. Add extra height to box to compensate.
- Cut out slot in bottom of false back to allow entrance feeder to sit behind it inside hive for supplemental feeding in spring.

